

Hydraulic Rotary Rig

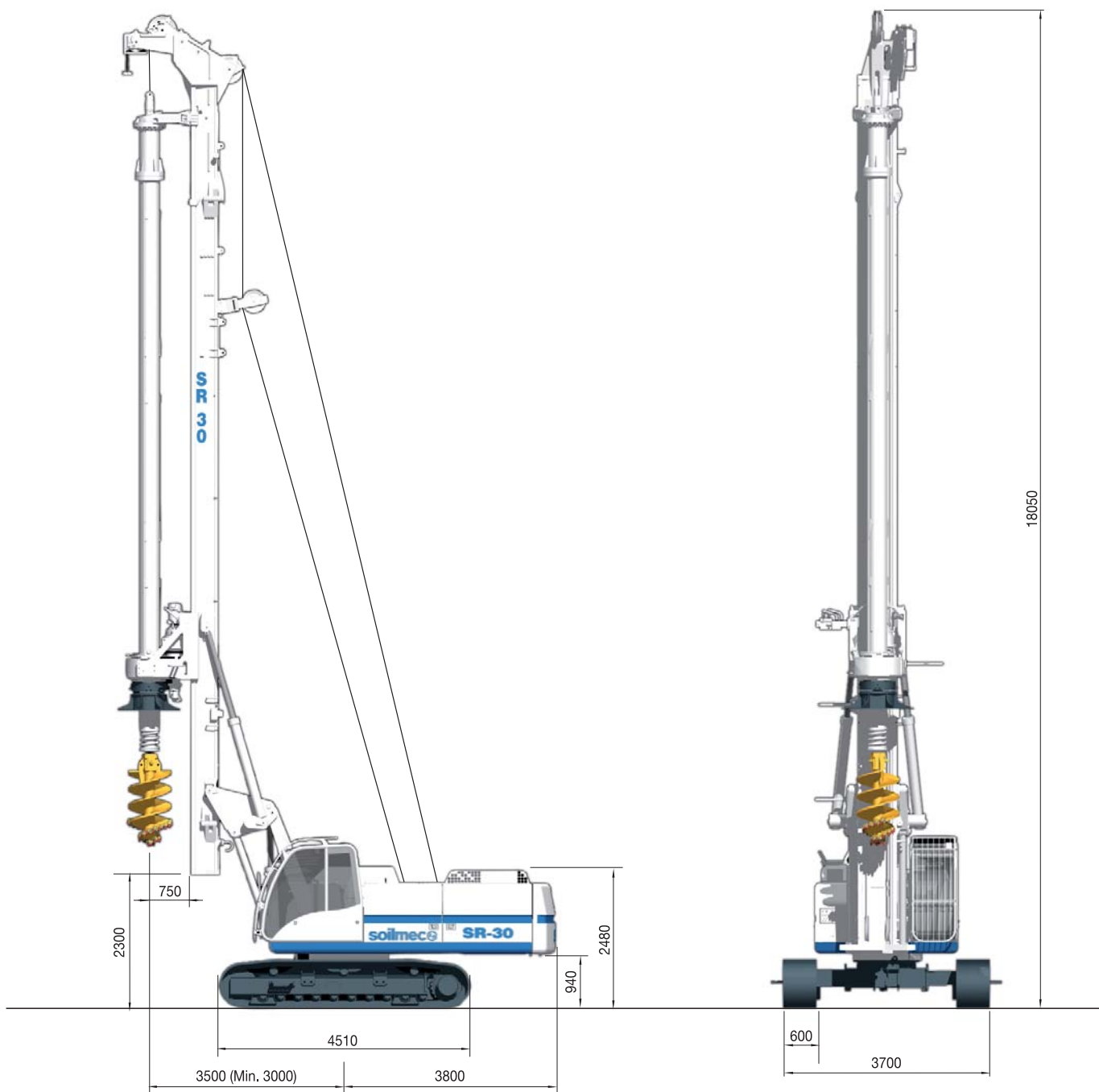
# SR-30



**soilmec**   
Drilling and Foundation Equipment

# SR-30 Hydraulic Rotary Rig

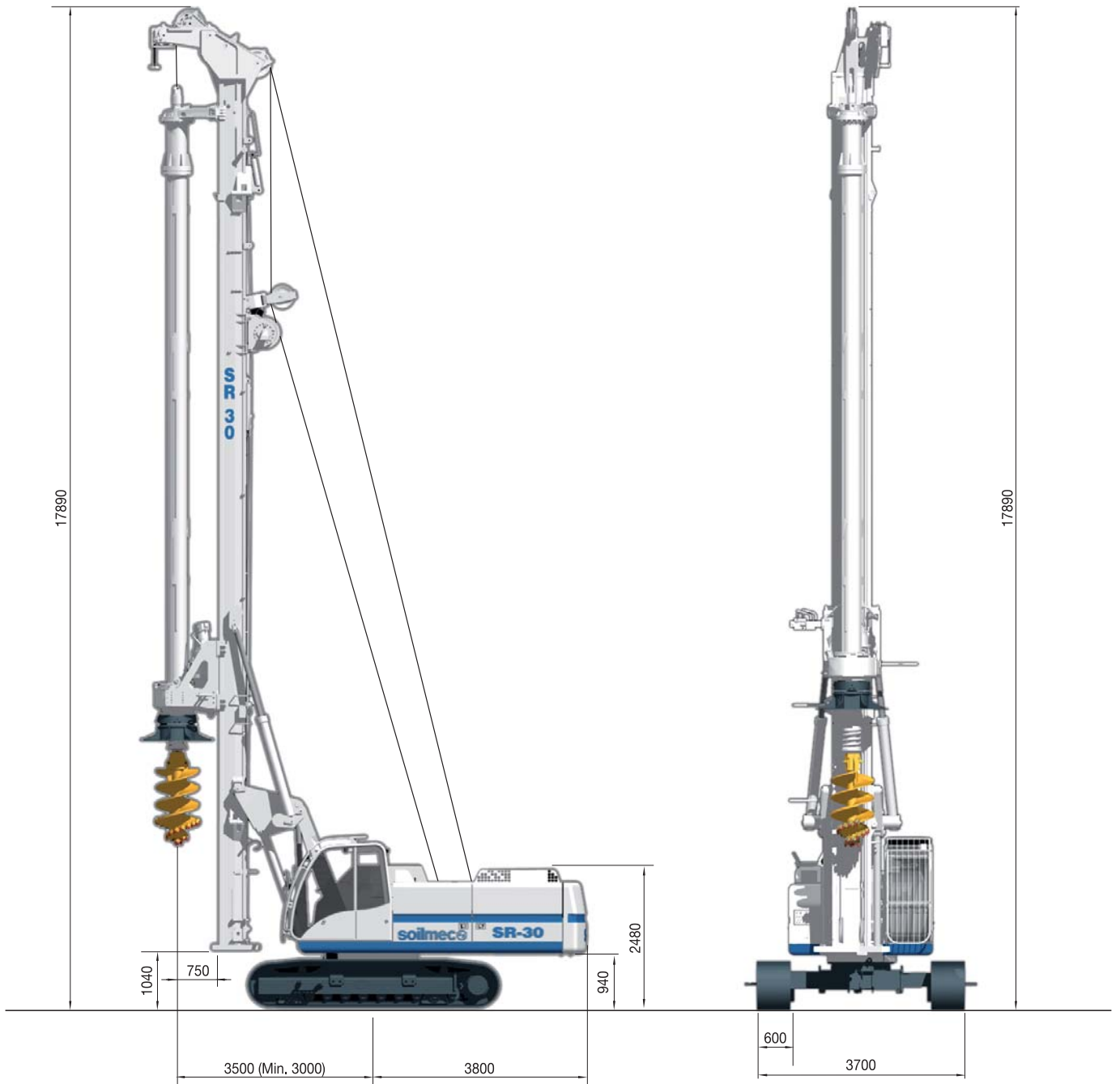
## LDP APPLICATIONS



LDP - Large Diameter Piles - CCS version		
Operating weight c/w 4x10,5 kelly bar	36350 kg	80137 lb
Max pile diameter	1500 mm	59.06 in
Max pile depth-friction kelly	49,3 m	162 ft
Max pile depth-locking kelly	46,2 m	151.57 ft

# SR-30 Hydraulic Rotary Rig

## LDP APPLICATIONS

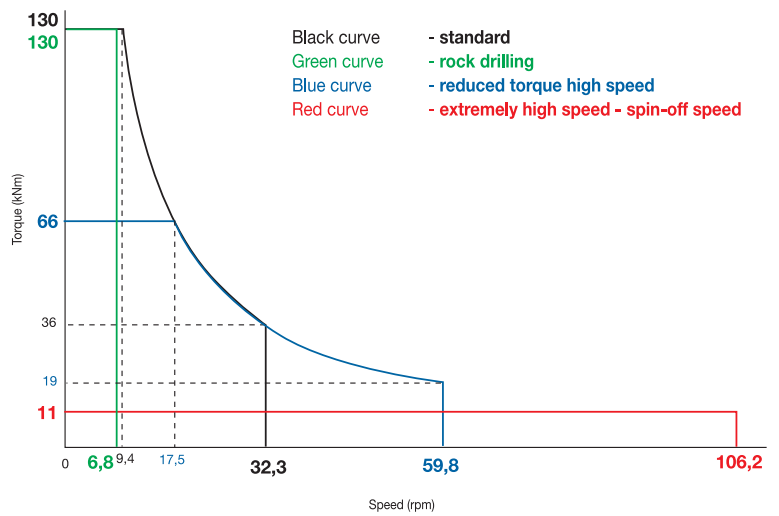
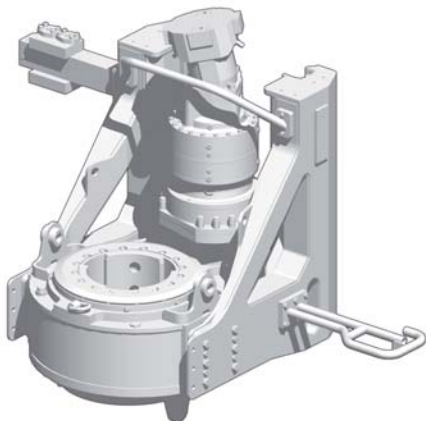
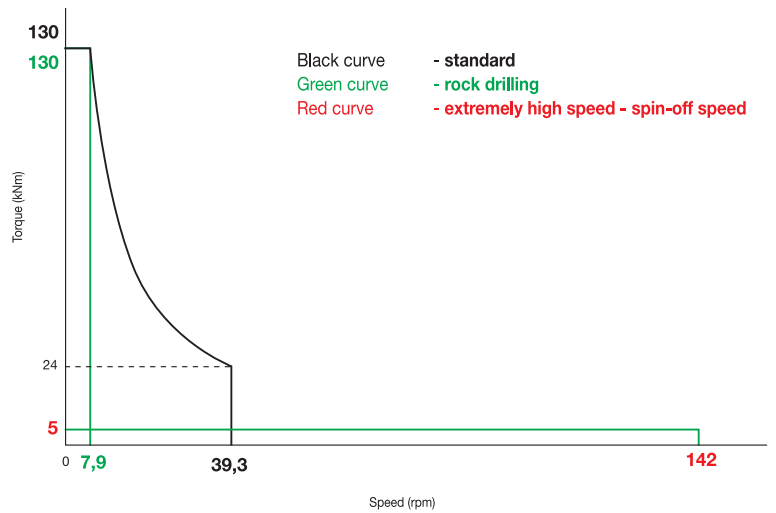
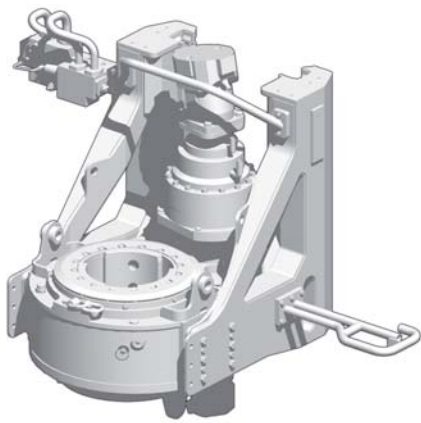
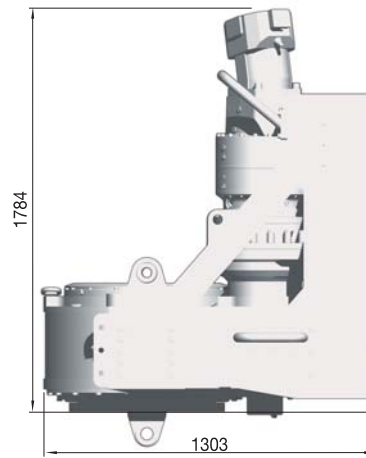
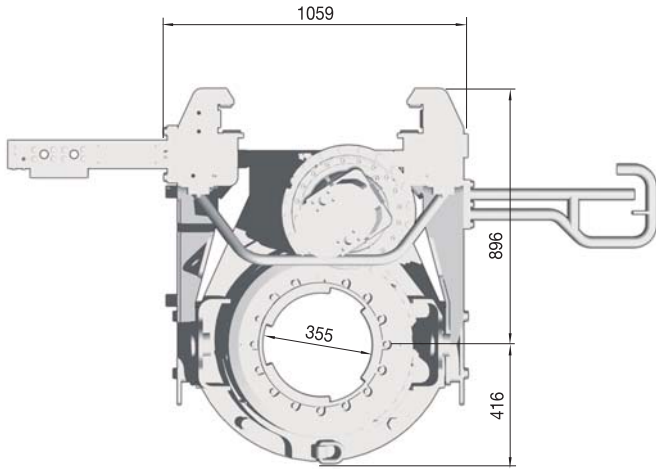


### LDP - Large Diameter Piles - WCS version

Operating weight c/w 4x11 kelly bar	39450 kg	86971 lb
Max pile diameter	1500 mm	59.06 in
Max pile depth-friction kelly	49,3 m	162 ft
Max pile depth-locking kelly	46,2 m	151.57 ft

# SR-30 Hydraulic Rotary Rig

## ROTARY HEAD



### Rotary drive RD-130 (Single gear version)

Max torque (theoretical, restricted, intermittent)	<b>130 kNm</b>	95881 <i>lbf*ft</i>
Rated torque (theoretical)	<b>108 kNm</b>	79655 <i>lbf*ft</i>
Speed of rotation (max)	<b>39,9 rpm</b>	39.9 <i>rpm</i>
Spin-off speed	<b>142 rpm</b>	142 <i>rpm</i>

### Rotary drive RD-130G (Multigear version)

	<b>130 kNm</b>	95881 <i>lbf*ft</i>
	<b>108 kNm</b>	79655 <i>lbf*ft</i>
	<b>32,3 rpm</b>	32.3 <i>rpm</i>
	<b>106,2 rpm</b>	106.2 <i>rpm</i>

# SR-30 Hydraulic Rotary Rig

## TECHNICAL DATA SHEET

<b>CCS - Cylinder Crowd System</b>		
- Crowd force pull (down/up)	101 / 124 kN	22705 / 27876 lbf
- Stroke	3500 mm	138 in
- Speed up	7,4 m/min	24 ft/min
- Fast speed down	5,7 m/min	19 ft/min
<b>WCS - Winch Crowd System</b>		
- Crowd force pull (down/up)	200 / 200 kN	44961 / 44961 lbf
- Stroke	13000 mm	512 in
- Speed up	2,8 m/min	9 ft/min
- Fast speed down	7,5 m/min	25 ft/min
<b>Engine</b>	<b>Cummins QSB6.7</b>	<b>Cummins QSB6.7</b>
- Rated output ISO 3046-I	164 kW @ 2200 rpm	220 HP @ 2200 rpm
- Engine conforms to Exhaust emission Standard	EU stage III A-US EPA Tier3	EU stage III A-US EPA Tier3
- Diesel tank capacity	350 l	92 US gal
<b>Main winch</b>	<b>controlled descend</b>	<b>controlled descend</b>
- Line pull (1st layer)	135 kN	30349 lbf
- Rope diameter	22 mm	1 in
- Line speed (max.)	78,5 m/min	258 ft/min
<b>Auxiliary winch</b>	<b>controlled descend</b>	<b>controlled descend</b>
- Line pull (1st layer)	65 kN	14612 lbf
- Rope diameter	18 mm	1 in
- Line speed (max.)	58 m/min	190 ft/min
<b>Hydraulic system</b>		
- Hydraulic pressure	30 Mpa	4786 psi
- Flow rates (main circuits)	352 l/min	93 US gal/min
- Hydraulic oil tank capacity	380 l	100 US gal
<b>Undercarriage</b>	<b>variable gauge, telescoping sides</b>	<b>variable gauge, telescoping sides</b>
- Overall width of crawlers retracted	2550 mm	100 in
- Overall width of crawlers extended	3700 mm	146 in
- Width of triple grouser track shoes	600 mm	24 in
- Overall length of crawlers	4510 mm	178 in
- Traction force	290	150172.4 lbf
- Travel speed	2,2 km/h	1.4 mph
<b>Mast inclination (Backward/ Forward/Lateral)</b>	<b>12/4/3°</b>	<b>12/4/3°</b>

## STANDARD EQUIPMENT

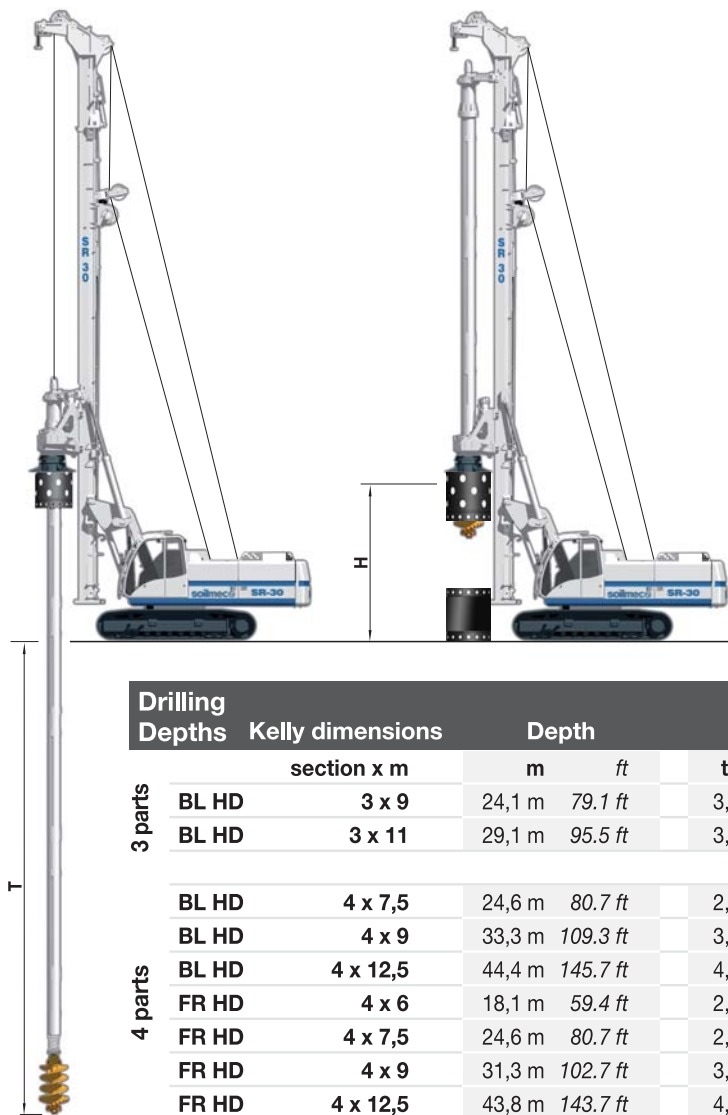
- Main and auxiliary winch controlled descent type with special grooving
- Hoist limit switch on main rope
- Swivel for main rope
- Service rope parking point
- DMS system electronic monitoring and visualization system
- Mast inclination measurement on X/Y axes (digital/analog display)
- Automatic vertical mast alignment
- Depth measuring device on main winch
- Speed measuring device on rotary
- Crowd pressure setting
- Central lubrication system
- Emergency mode of operation for engine
- Engine diagnostic system
- Diagnostic panel for hydraulic functions
- Transport securing lugs on crawler units
- Access ladder on upper carriage
- On board lighting set
- On board tool set
- Electric refuelling pump
- High comfort operator's cab
- Protective roof grate (FOPS compliant)
- Air conditioning system
- Radio and CD player
- Videocamera set

## OPTIONAL EQUIPMENT

- Biodegradable oil
- Pressurized air conditioning system
- Freefall auxiliary winch
- Swivel for auxiliary rope
- 800 mm wider triple grouser track shoes
- Double roller auger cleaner
- Main winch load cell

# SR-30 Hydraulic Rotary Rig

## KELLY DRILLING SYSTEM

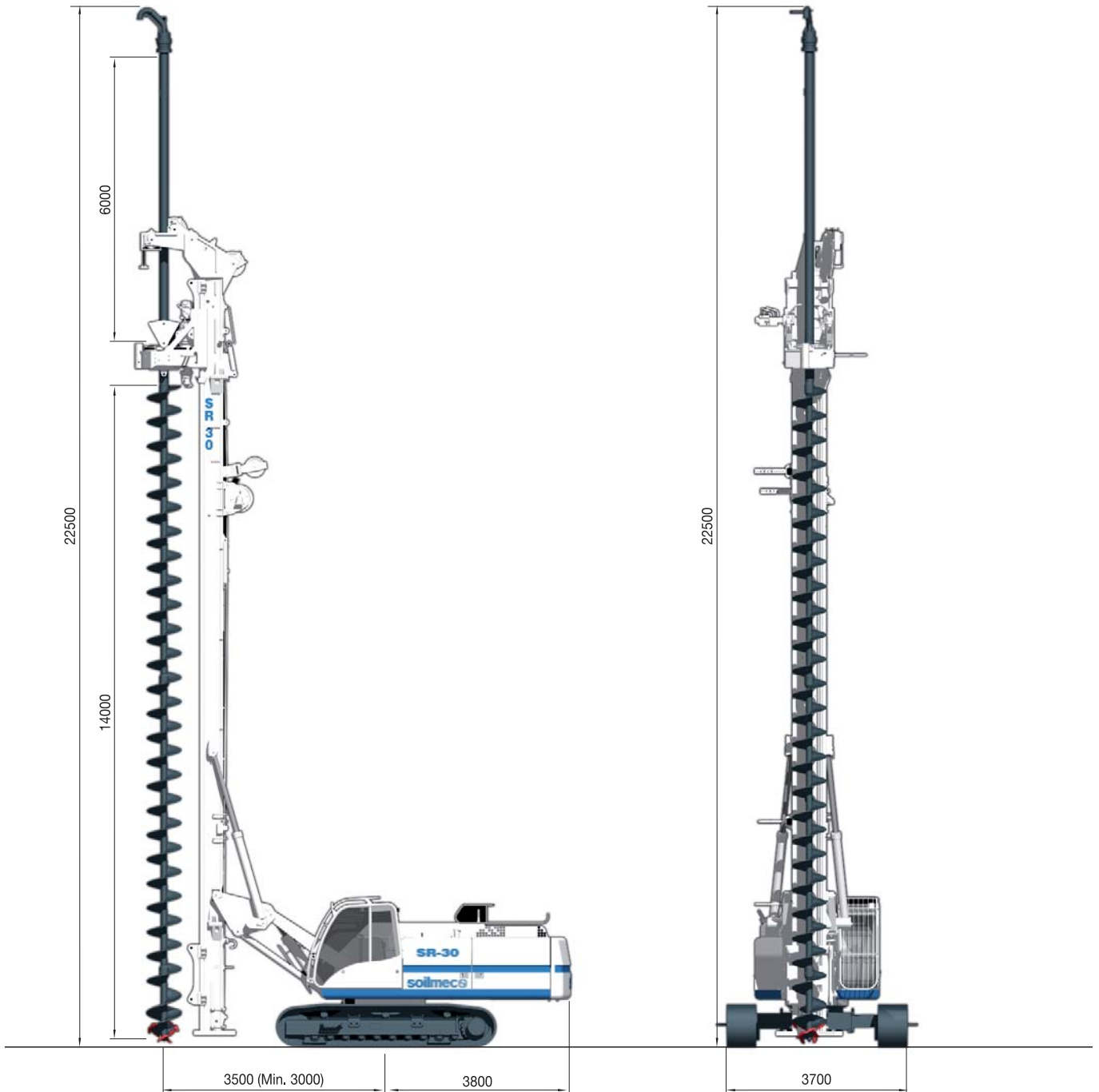


	Drilling Depths	Kelly dimensions	Depth		Weight		CCS SYSTEM		WCS SYSTEM		
			section x m	m	ft	ton	ton	H		H	
								m	ft	m	ft
3 parts	BL HD	3 x 9	24,1 m	79.1 ft	3,1 t	3.1 ton	6,4 m	21.0 ft	6,4 m	21.0 ft	
	BL HD	3 x 11	29,1 m	95.5 ft	3,5 t	3.6 ton	4,7 m	15.4 ft	4,7 m	15.4 ft	
4 parts	BL HD	4 x 7,5	24,6 m	80.7 ft	2,9 t	2.9 ton	6,4 m	21.0 ft	8,0 m	26.2 ft	
	BL HD	4 x 9	33,3 m	109.3 ft	3,3 t	3.4 ton	6,4 m	21.0 ft	6,4 m	21.0 ft	
	BL HD	4 x 12,5	44,4 m	145.7 ft	4,4 t	4.5 ton	3,1 m	10.2 ft	3,1 m	10.2 ft	
	FR HD	4 x 6	18,1 m	59.4 ft	2,4 t	2.4 ton	6,4 m	21.0 ft	9,7 m	31.8 ft	
	FR HD	4 x 7,5	24,6 m	80.7 ft	2,9 t	2.9 ton	6,4 m	21.0 ft	8,0 m	26.2 ft	
	FR HD	4 x 9	31,3 m	102.7 ft	3,3 t	3.4 ton	6,4 m	21.0 ft	6,4 m	21.0 ft	
	FR HD	4 x 12,5	43,8 m	143.7 ft	4,3 t	4.4 ton	3,5 m	11.5 ft	3,5 m	11.5 ft	
5 parts	FR HD	5 x 9	39,1 m	128.3 ft	4,1 t	4.2 ton	6,4 m	21.0 ft	6,4 m	21.0 ft	
	FR HD	5 x 10	44,4 m	145.7 ft	4,4 t	4.5 ton	5,4 m	17.7 ft	5,4 m	17.7 ft	
	FR HD	5 x 11	47,5 m	155.8 ft	4,8 t	4.9 ton	4,8 m	15.7 ft	4,8 m	15.7 ft	

Drilling Diameters	CYLINDER		WINCH	
Uncased	1500 mm	59.1 in	1500 mm	59.1 in
Cased	1200 mm	47 in	1200 mm	47 in

# SR-30 Hydraulic Rotary Rig

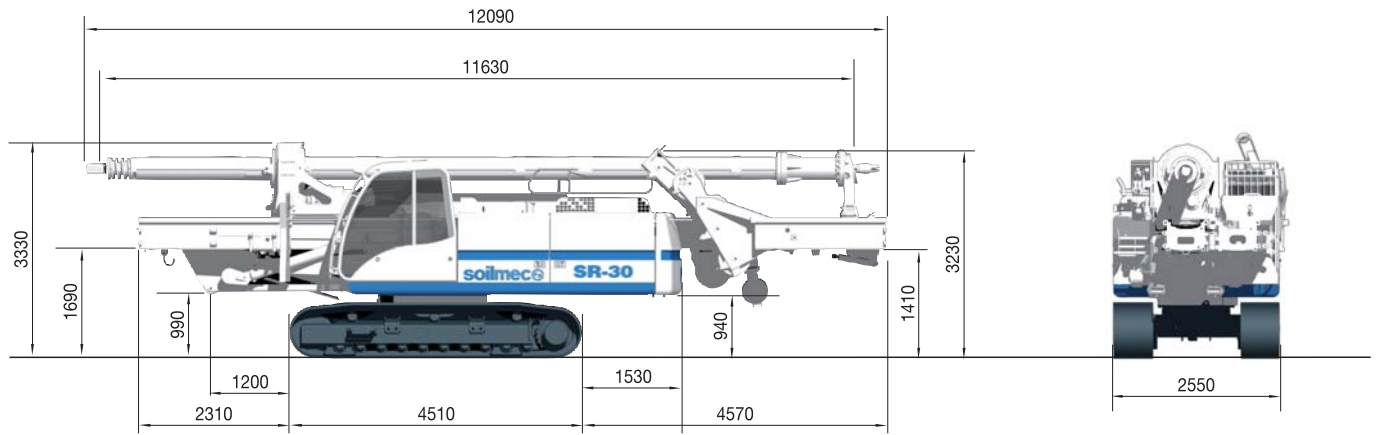
## CFA APPLICATIONS



CFA - Continuous Flight Auger	Quick conversion kit		4° line pull	
Max pile diameter	750 mm	29.53 in	750 mm	29.53 in
Max pile depth c/w 6 m auger extension	17,5 m	57 ft	18,3 m	60 ft
Max pile depth with auger cleaner c/w 6 m auger extension	18,7 m	61 ft	19,5 m	64 ft
Extraction force	330 kN	74186 lbf	380 kN	85426 lbf
Extraction force on auger	100 kN	22481 lbf	37 kN	8318 lbf

# SR-30 Hydraulic Rotary Rig

## TRANSPORT, DIMENSIONS AND WEIGHTS



All technical data are purely indicative and subject to change without notice

Technical data sheet SR30-002 04/2014

Transport configuration		
Width	2550 mm	100 in
Length	12090 mm	476 in
Height	3330 mm	131 in
Weight c/w kelly bar 4X11 m CCS - WCS	36350 / 39450 kg	80137 / 86971 lb

This brochure has been edited and distributed by SOILMEC Spa. The present document cancels and override any previous ones. This brochure may not be distributed, reproduced or exhibited without SOILMEC Spa. authorization in according to SOILMEC web site disclaimer condition.

SOILMEC Spa distributes machinery and structures all over the world, supported by SOILMEC Spa subsidiary companies and dealers. The complete Soilmec network list is available on the webpage [www.soilmec.it](http://www.soilmec.it)